



BLUECREATION BC118 APP NOTE ARCHITECTURE OPTIONS

VERSION 1.1

REF: BC118-OPTIONS-001



Blue Creation

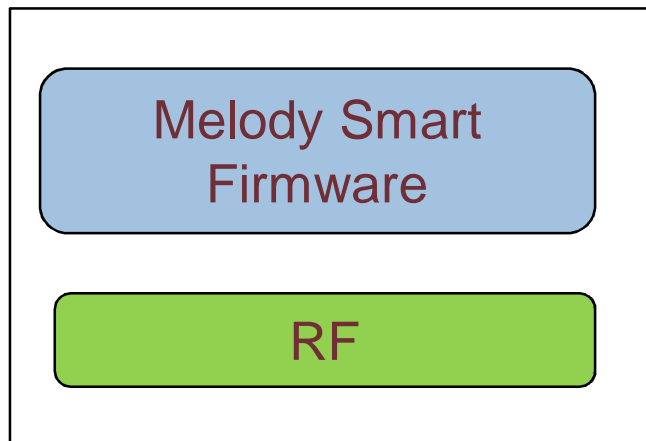


Blue Creation

BC118 can be used with or without Melody Smart

Option1: With Melody Smart

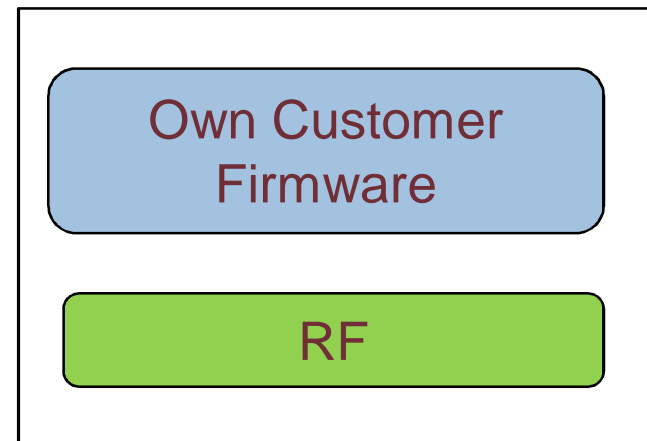
BC118



→ You do not have to develop embedded firmware on the BC118 or Flash the BC118

Option2: Without Melody Smart

BC118

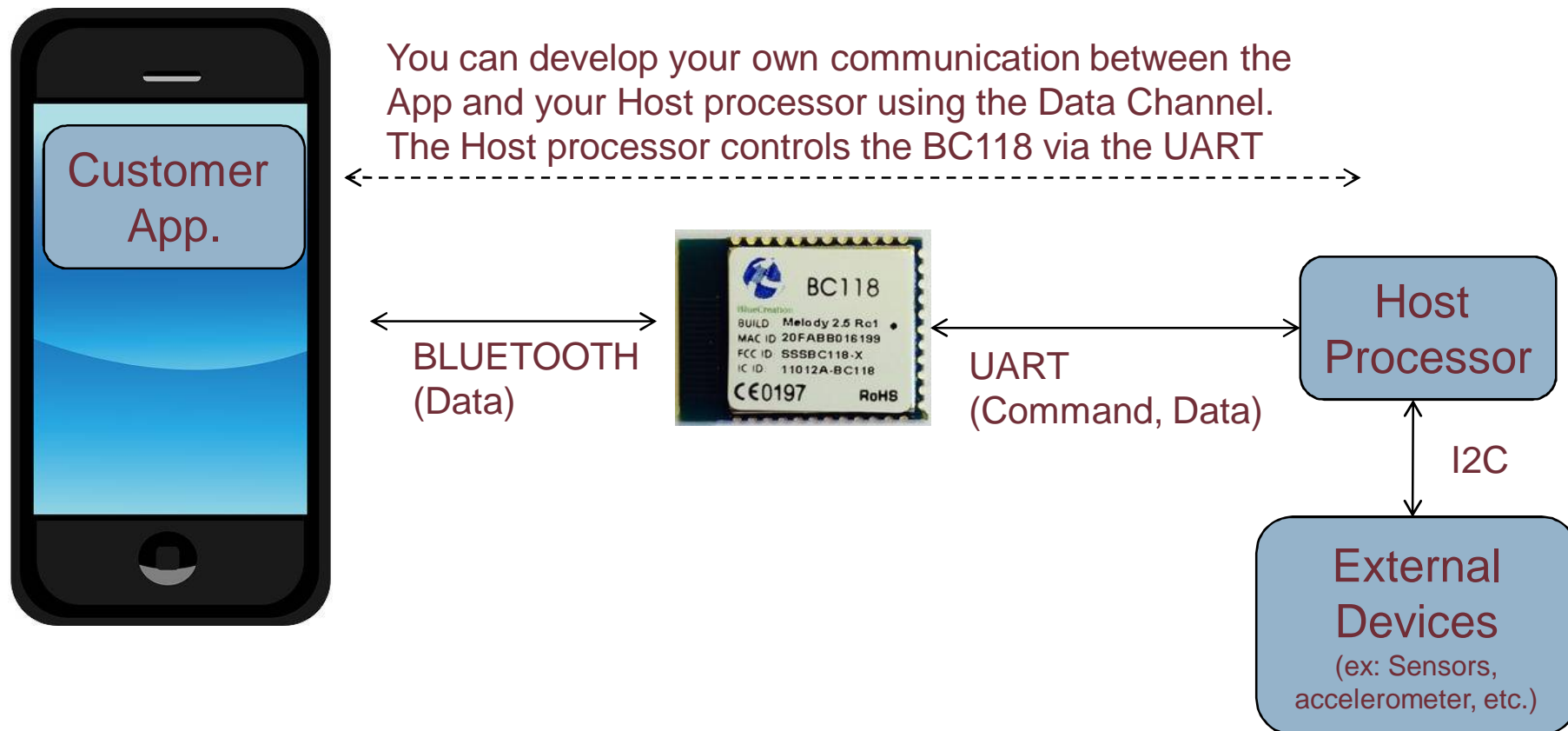


→ You have to develop embedded firmware on the BC118 and Flash it on the BC118



Blue Creation

Option1a: BC118 can be controlled by a host processor

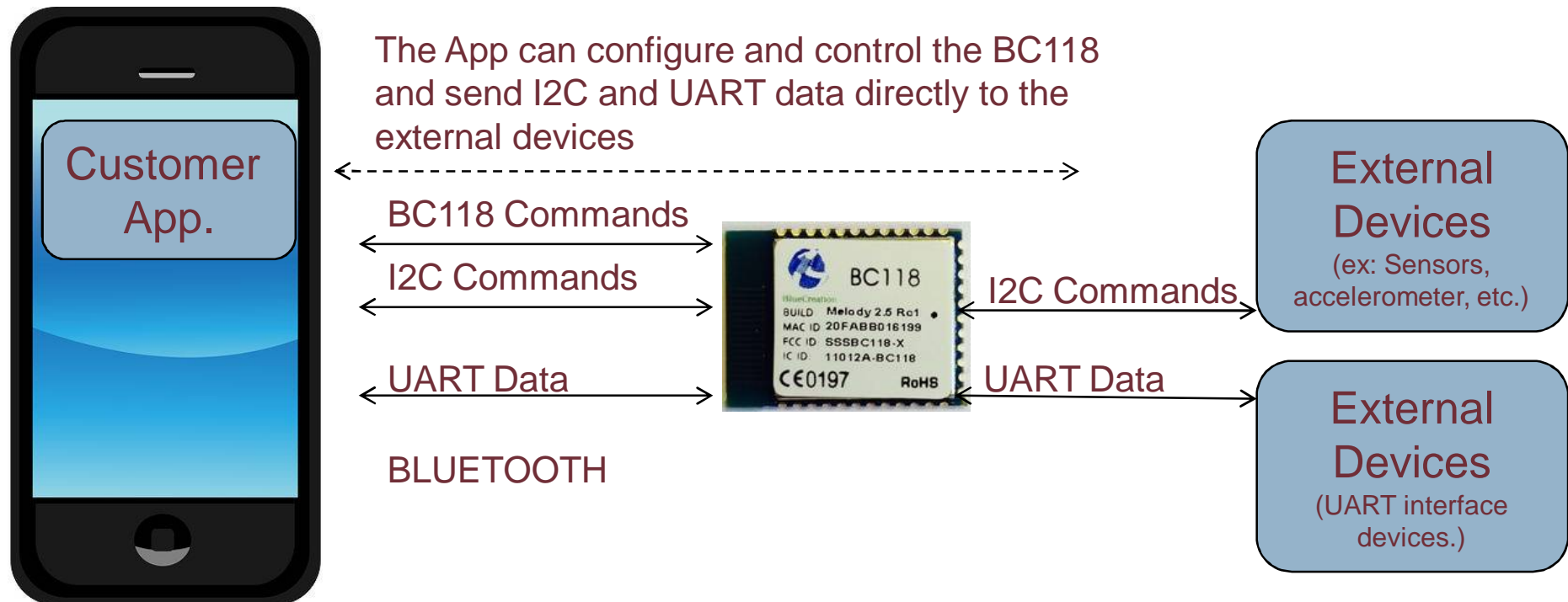


→ B118 is a simple reliable BLE interface to the Host



Blue Creation

Option1b: BC118 can be run standalone in command mode

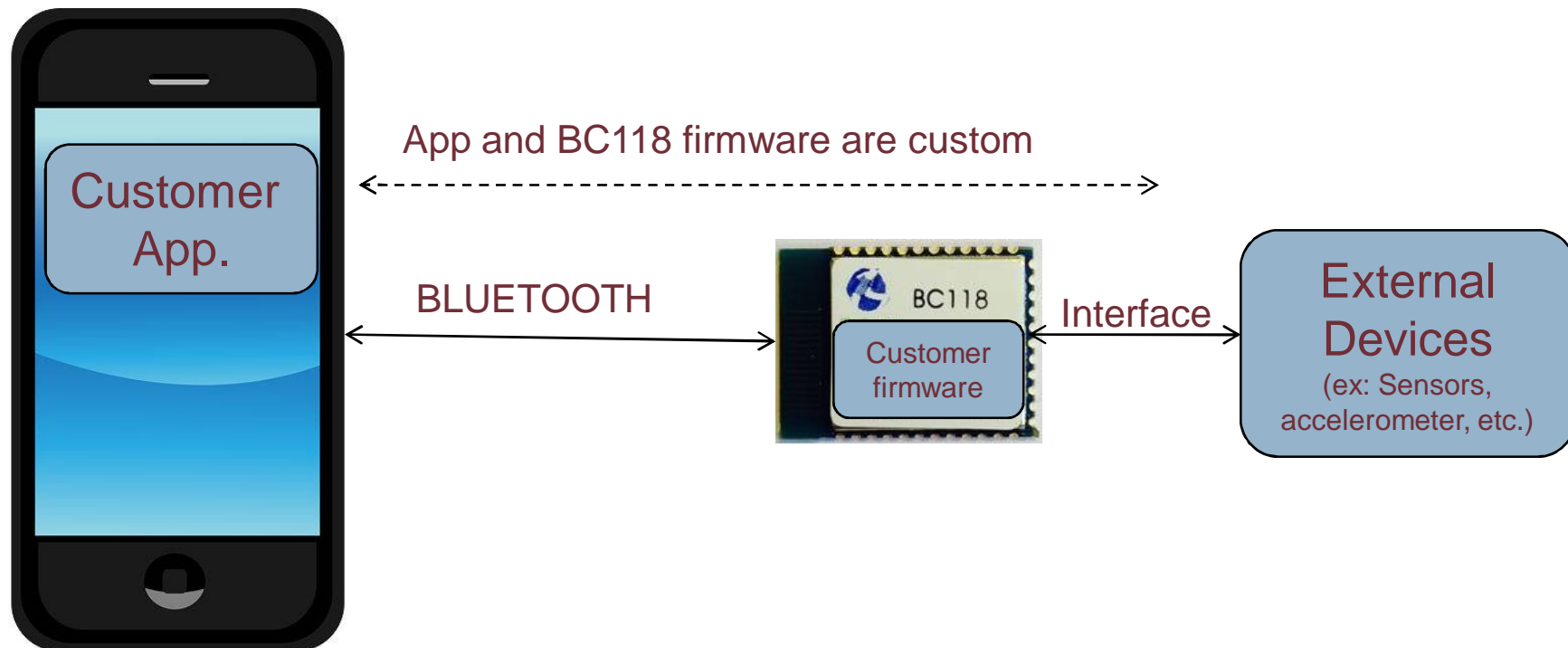


→ No Need for embedded development. Your App directly controls the BC118 and external devices.



Blue Creation

Option2: BC118 runs a customer custom firmware



→ Need for embedded development. This can be done using CSR Software ADK



Options Advantages/Disadvantages

Option	Advantages	Disadvantages
Option1a	<ul style="list-style-type: none">•No need to develop on BC118•Customer can focus on their App	<ul style="list-style-type: none">•Need to develop on Host•BOM increase with Host•Cannot develop custom profiles
Option1b	<ul style="list-style-type: none">•No need to develop on BC118•No embedded development•Easier/Cheaper maintenance•Flexible as App can be modified	<ul style="list-style-type: none">•Cannot develop custom profiles
Option2	<ul style="list-style-type: none">•Ability to develop custom profiles	<ul style="list-style-type: none">•Need to develop on BC118•Expensive Maintenance•Lower flexibility for upgrades

BC118 Product Family



BC118-Module



Can connect to all BC127 Kits



BC118-Discovery Kit



Software and Support Packages

Thank You



Blue Creation



BlueCreation

St John's Innovation Centre

Cowley Road

Cambridge, CB4 0WS

United Kingdom

Tel: +44 (0) 1223 420 252